

Gold Wing Road Riders Association

Rider Education Division



Top Gun Challenge

Motorcycle Riding Skills

Competitive Event Handbook

Revision 3 – May 2009

Copyright © 1995, All rights reserved

Property of Gold Wing Road Riders Association

Introduction

Sure, we all know that the operators of other vehicles frequently cause motorcycle accidents. However that does not lessen the severity of injury or the extent of the damage to the bike. We, as motorcyclists, can prepare ourselves by developing and practicing defensive riding techniques as well as slower speed control techniques to minimize the potential for accidents. This challenge has been developed to focus on one aspect of this, our riding skills. This challenge will also allow us to evaluate our skills and compare these to our riding peers in a spirit of fun and friendly competition.

Overview

The “Top Gun” movie emphasized skills in flying a fighter plane effectively in combat situations. The GWRRA “Top Gun Challenge” emphasizes skills necessary in riding effectively in many street situations, our combat zone. This has been developed for two reasons:

- To increase survivability on the road through practice of defensive/evasive riding techniques in a controlled environment
- To provide for the fun of competition with fellow riders of similar capability and earn the designation as “Top Gun” at a District, Region or International level

The “Top Gun Challenge” uses a professionally developed riding course comprised of nine exercises to challenge individual riders to demonstrate their riding skills. Proper execution of riding maneuvers and, in limited instances, time to complete the exercise are considered in determining point totals. The deduction of points during a single pass of all exercises will determine the placement of the competitor.

In order to accommodate differing levels of riding skills and experience as well as differences in particular motorcycle capability, categories have been established for riders as well as bike classes. During registration or sign up, competitors will indicate both the skill level and bike class in which they will compete. Riding skill levels are designated as “**Novice**”, “**Experienced**” or “**Expert**”. Bike classifications are determined by the organizer and are suggested to include **Open Class** (GL1000/GL1100/GL1200/Valkyrie), **GL1500**, and **GL1800** classes. The Open Class has been created due to the low participation of these individual bikes. It is up to the organizer if they choose to break the class up into smaller groups. At the International Top Gun Event (Wing Ding) the classes will be as stated to raise the competition level.

Purpose of the “Top Gun” Program

This program has been designed in an effort to establish an international competition among Gold Wing and Valkyrie motorcycle riders. The level of participation of GWRRA members will measure its success. It is intended that the program criteria will remain constant in all events at district, region or international levels. The competitions are to emphasize the fun of motorcycling, spotlight the riding skills of the membership and generate a positive image and message regarding the sport.

Program Administration

Responsibility

The GWRRA District, Region or National Rider Educators, their assistants or designees, should manage the “Top Gun Challenge”. The intent of this competitive program is as a supporting event held in conjunction with the various rallies hosted within GWRRA and must be coordinated with the appropriate rally director and host.

A sufficient number of supporting members should be recruited and available to help with all tasks necessary to conduct a successful event. As the program currently exists, there is too much work for only a few individuals to be successful in running this event. Planning must start well in advance of the event allowing for site selection, award selection and procurement and advance publicity. It is highly suggested that committees be formed in the following areas:

- Advertising/Publicity/Recruitment
- Site selection/Range setup
- Judge recruitment/Scoring training
- Registration/Awards
- Safety inspection/Training

While personal Health and Vehicle Insurance is the responsibility of each participant, GWRRA umbrella liability insurance is to be provided and secured by the host organization. Event coordinators are responsible to ensure that all safety and policy guidelines are met and adhered to during the conduct of the event. The responsible educator must ensure that the event coordinator fully understands these guidelines and maintains the standards established by GWRRA.

Site Requirements

In order to set up a proper event a paved parking lot of approximately 100’ by 200’ will be required. The lot should be reasonably level, clean, without drains, islands, curbs, light poles or major cracks or potholes. Drainage should be good to minimize any water puddling. There should be a shaded area for participants with available rest room facilities. A pop-up canopy would be nice for the registration and scoring area. Suggested areas for this are school parking lots, church lots, shopping malls, etc. Obtain written permission to use the facilities and provide a copy of the insurance binder as necessary.

The lot will be temporarily marked for the exercises used in the competition. Use spray chalk in all cases and do not paint the surface. Cones can be used to mark significant areas such as;

- Safety lanes for motorcycle inspection
- Entrance and exit routes for each competitive exercise
- Marking layouts for each exercise
- Marking safety zones for the judges

(Note: The use of duct or other type of tape to mark off the range is prohibited)

Event Safety Requirements and Course Paperwork

Each competitor must provide his or her own safety gear. No rider will be allowed to compete without complete safety apparel. This will include the following

- DOT approved helmet
- Long sleeved shirt or jacket
- Long pants
- Over the ankle foot wear (leather boots preferred)
- Full fingered gloves
- Eye protection (if shields are used, they must be lowered) Note: windscreens are not considered adequate eye protection!

All participating motorcycles will undergo a safety inspection by performing a **T-CLOCS**. This inspection will, at a minimum, inspect the condition of the tires, fluid leaks, hanging parts that will excessively drag, and the brake operation. Any motorcycle deemed unsafe or marginal will be restricted from competing.

Each participant will sign a **Top Gun Waiver** to participate. Also, participants must produce his or her valid operator's license including motorcycle endorsement if applicable and proof of liability insurance as required by applicable law.

Each participant will add their contact information to the **Emergency Notification Data Sheet**. This form is used for the Top Gun coordinator to be able to contact an offsite member of your family in the case of an emergency.

Each participant must complete a **Top Gun Registration Scoring Sheet** prior to competing. This form will include the members name, GWRRA membership number (if applicable), rider classification, bike classification, and chapter (if applicable).

Note: Members select their rider classification. However, judges may at their discretion move a competitor to a different classification based on the performance of the rider. Drill team members, along with GWRRA and MSF instructors, are to be classified as "Expert" riders.

Range Incidents

This course is designed to challenge the participants to their skills limit. This is a competition so it is possible that motorcycles will be dropped. In the event a motorcycle is dropped the organizers must make a determination if the incident warrants a **Top Gun Accident/Incident Report**. The criteria to use are if the motorcyclist stepped off the bike or went to the ground with the bike. If the rider goes down with the bike a **Top Gun Accident/Incident Report** must be filled out and have the waiver attached with the form. One form can cover several occurrences from a single participant. If the participant goes down three times they are to be disqualified for their own safety and not allowed to continue.

Equipment/Registration/Judging Requirements

The following equipment will be necessary to conduct the event:

- Copies of the participants exercise guide for the judges
- Score sheets
- Tally sheets
- Clipboards
- Pencils/Pens
- Stopwatches
- 50 cones (2" recommended)
- Tape measures, chains, chalk to set up the exercises

The host organization will provide oversight and supervision as necessary to ensure a smooth flowing event. Safe conduct of the event must be the priority. No spectators or others not directly involved in the conduct of the event will be allowed on the range. **If the bike is dropped after starting the exercise and prior to completion of the exercise, which includes coming to a complete and full stop, if required, it is a –50 point deduction and the rider will not be allowed to re-run the exercise.**

If during the event a rider drops his bike three times, it will be consider unsafe behavior and will be grounds for immediate disqualification.

“Hot dogging” or unsafe behavior on the part of any competitor will be grounds for immediate disqualification.

Judges should have training prior to the start of any event. All judging should be based on the same criteria and evaluation. Fairness is the key element for conducting a successful event. If there is any doubt in the scoring, judge in favor of the competitor rather than an arbitrary standard or expectation.

Scores for an exercise should be noted at the conclusion of the exercise allowing for ease of compilation. This will make for a smoother running event and allow for quick conclusion of the event. In the case of any ties in scoring the times recorded for the slow ride event will be used as the tiebreaker with the slowest time rating higher.

Rider Classification

At registration competitors will select the skill level at which they will be evaluated and scored. These skill levels are Novice, Experienced and Expert. The following are given as suggestions for determining the appropriate skill level:

Novice – A relatively new rider who typically has less than 5 years riding experience. They may have had one or two training courses. Additionally they will have little or no experience in the “Top Gun Challenge”. If they have competed in 5 or more Top Gun events they should compete at the Experienced level.

Experienced – Riders who have significant riding experience, several training courses and may have competed in several “Top Gun Challenges” will compete at this level. Riders who consistently score well at this level should consider moving up to the Expert level.

Expert – Riders who have significant riding experience, many training courses and may have competed in several “Top Gun Challenges” should compete at this level. Drill Team members and MSF instructors are to compete at this level, as this should be commensurate with their abilities.

During the course of the competition, judges may at their discretion move a competitor to a different classification based upon the riding skill exhibited by the competitor. The intent of this is to provide a fair playing field and not allow either sandbagging (classifying too low) or too high a level of difficulty (classifying too high).

Competition Exercises

The “Top Gun Challenge” comprises nine riding exercises of varying degrees of difficulty. The exercises have been developed based upon standard instructional exercises and represent motorcycling skills that are typically demonstrated by experienced riders in their normal riding. Skill and control are the essential elements involved. These exercises are not evaluated based on competitive times (other than the Slow Ride) as this is not seen as constructive. The evaluation is based on the skill and control exhibited and not based upon a “kamikaze” effort on the part of participants.

The exercises that are included in this challenge are:

1. Cone Weave
2. Quick Stop (Stopping in the shortest, safe distance)
3. Obstacle Avoidance (Countersteering)
4. Offset Alley
5. Tight U-Turns
6. Slow Ride
7. 45 Degree Pullout
8. The Box (Circles)
9. The Snake

Each competitor will complete one attempt of each exercise and scored for each. Judges may accompany a rider through the entire course or judges may be assigned to each exercise with riders moving from one exercise to another. This is entirely dependent on the course setup and the judges available. A minimum of two judges should be used at each exercise if possible as this minimizes the potential for errors or missed faults.

Each exercise has its own scoring criteria and judges should understand each of them. Speed for selected exercises is measured over a set distance and competitors must meet the minimum speed requirements. Exercises such as the Quick Stop involve measuring distance and should be measured based upon the leading edge of the front tire of the

motorcycle. Exercises evaluated for tires touching boundaries, the boundary line must be completely covered by the tire. For exercises evaluated for tires crossing boundaries, the tire must be seen to completely cross the line not simply touch and cover the line.

As previously noted, competitors will be disqualified from the event for acting or riding in an unsafe manner. For the purposes of the exercises, the criteria defined would only end the exercise for the competitor but would not result in disqualification. For example, during the slow ride, putting a foot down or crossing a boundary line would end the exercise and the competitor would move on to the next exercise but would not be disqualified.

Following are the exercise sheets with evaluation criteria for each of the exercises, the scoring sheet and the range setup sheets. Directions listed for each exercise must be read to the competitor prior to starting each exercise. Event coordinators are to follow the listed guidelines and criteria for conducting each exercise as described. Do not alter or change the exercises, the criteria or scoring.

Exercise 1 – Cone Weave

Exercise Objective: To test the riders control and ability to maneuver the motorcycle

Directions: Ride to the right of the first cone, left of the second cone, and so on until you are through all of the cones and have exited the course boundaries. Do not touch the boundary lines associated with your skill level. When you have finished the exercise proceed to the starting point of the next exercise and await instructions.

Scoring: Points will be deducted for the following:

- Hitting cone
- Skipping a cone
- Putting your foot down
- Touching a boundary line

Deduct points as follows: *(Note: only the higher point value for each deduction category will be counted and scored. Do not total both point values for each deduction)*

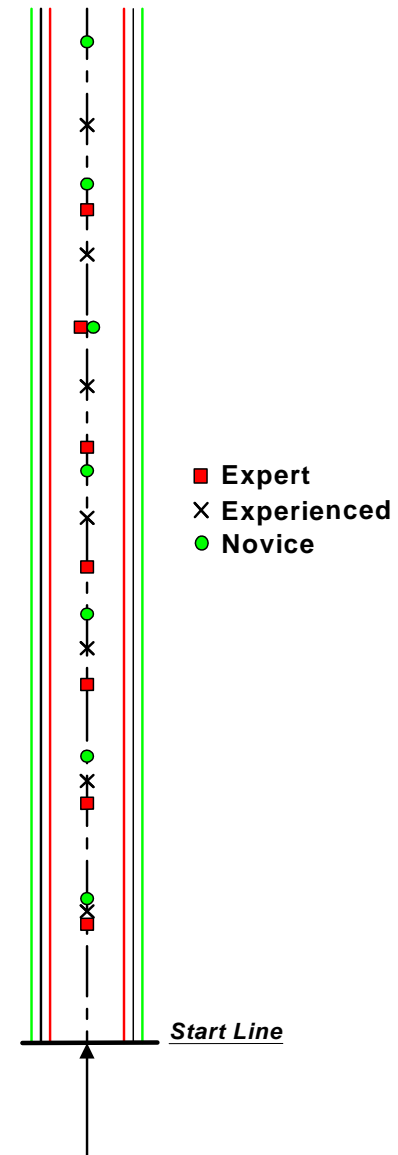
	Once	More
Hits a cone	-5	-10
Skips a cone	-5	-10
Foot down	-10	-15
Touches boundary	-10	-15
Dropping the bike	-50	

Maximum Pt. Deduction - 50

Set-Up: 7 cones will be used for the cone weave. Distance from the starting point to the first cone will be the same distance as the cone spacing for the weave.

Spacing is as follows:

<u>Class</u>	<u>Cone Spacing</u>	<u>Boundary Width</u>
Novice	12'	7'
Experienced	11'	6'
Expert	10'	5'



Exercise 2: Quick Stop

Objective: To test the rider's ability to quickly stop in a measured distance safely.

Directions: On a signal from the judge ride toward the stopping area at 12-18 mph. When the motorcycle reaches the second set of cones, stop as quickly and safely as you can. Remain stopped until the judge measures your distance. When you have finished the exercise proceed to the starting point of the next exercise and await instructions. Second attempted is required for anticipating or not attaining proper speed.

Scoring: Points will be deducted for the following:

- Stopping beyond the standard distance
- Anticipating the stop
- Not attaining proper speed
- Dropping the bike

Deduct points as follows:

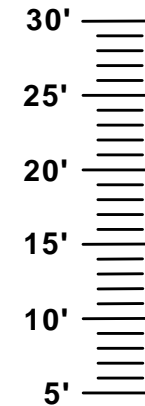
Stops beyond standard	-1 pt for each foot over
Anticipates the stop	-20 pts for second attempt
Not attaining proper speed	-20 pts for second attempt
Dropping the bike	-50

(No points deducted for anticipating or not attaining speed on first attempt)

Timing Chart – 44 foot Timing Zone

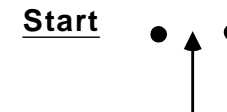
Time (Seconds)	Speed (mph)	Standard (feet)
1.50-1.57	20	23
1.58-1.66	19	20
1.67-1.76	18	18
1.77-1.87	17	16
1.88-1.99	16	14
2.00-2.14	15	13
2.15-2.30	14	11
2.31-2.50	13	10
2.51-	12	9

(Note: All classes use the same setup – no changes necessary)



Cue Cones ● ●

Timing Cone ►



Exercise 3: Obstacle Avoidance

Objective: To test the riders ability to countersteer swerving to miss an obstacle.

Directions: On a signal from the judge, ride toward the swerve area at 12 – 18 mph. Maintain this speed as you approach the second set of cones. When the motorcycle reaches the second set of cones swerve in the direction of **your choice** maintaining a constant speed. After completing the swerve and passing through the exit lane, come to a complete stop. When you have finished the exercise proceed to the starting point of the next exercise and await instructions. Second attempted is required for slowing during the swerve or not attaining proper speed.

Scoring: Points will be deducted for the following:

- Hitting a cone
- Touching or crossing a boundary line
- Slowing during the swerve
- Not attaining the proper speed

Deduct point as follows: *(Note: only the higher point value for each deduction category will be counted and scored. Do not total both point values for each deduction)*

	Once	More
Hits cone	- 5	-10
Touches boundary line	-10	-15
Crosses boundary line	-20	
Slows or does not attain speed	-20 for 2 nd attempt	
Dropping the bike	-50	

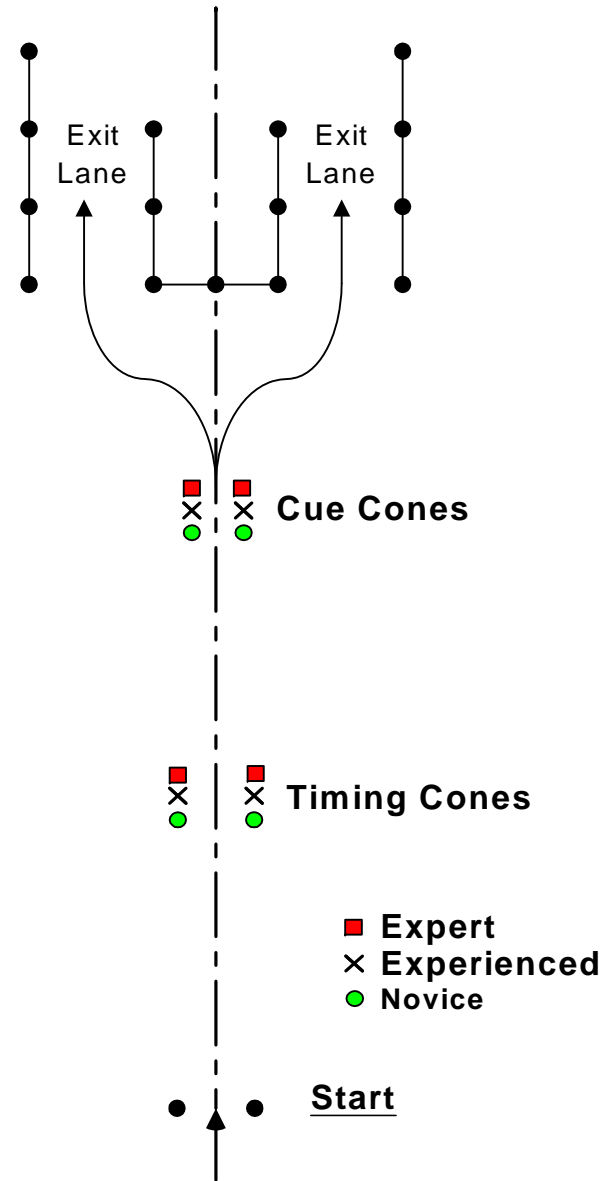
(No points deducted for slowing or not attaining speed on first attempt)

Maximum Pt. Deduction - 50

Note: Judges use speed chart from Exercise 2.

Judges are not to stand in or near the path of the motorcycle.

<u>Class</u>	<u>Distance from cue cones to obstacle</u>
Novice	15'
Experienced	14'
Expert	13'



Exercise 4: Offset Alley

Objective: To test the riders ability to execute turns and sharp corners

Directions: On a signal from the judge ride through the left hand curve, proceed to the right hand sharp corner, proceed to the right hand curve and finally execute the sharp left hand corner. When you have finished the exercise proceed to the starting point of the next exercise and await instructions.

Scoring: Points will be deducted for the following:

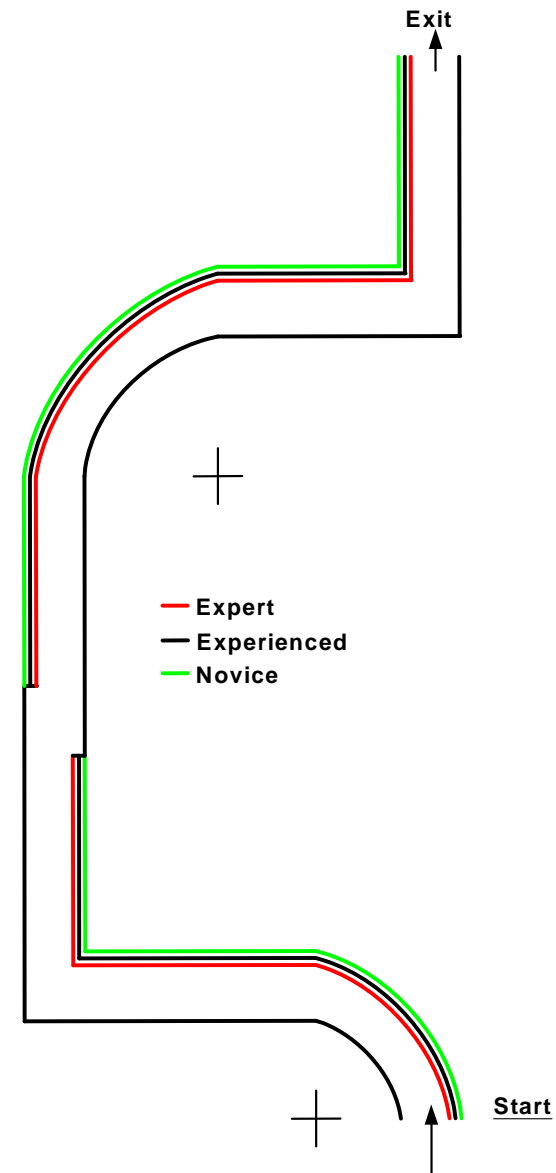
- Putting a foot down
- A tire crossing a boundary line
- Both tires crossing a boundary line
- Dropping the bike

Deduct points as follows: *(Note: only the higher point value for each deduction category will be counted and scored. Do not total both point values for each deduction)*

	Once	More
Foot down	-10	-15
Tire crossing boundary	-10	-15
Both tires crossing boundary	-15	-20
Dropping the bike	-50	
Maximum Pt. Deduction - 50		

Set Up: The rider class determines lane width

<u>Class</u>	<u>Lane Width</u>
Novice	5'
Experienced	4'-6"
Expert	4'



Exercise 5: Tight U-Turns

Objective: To test the riders ability to execute tight left and right u-turns

Directions: On a signal from the judge, enter the box on the right hand side. As you approach the far end execute a left hand u-turn crossing back across the box. As you approach the end of the box, execute a right hand u-turn. Proceed along the border exiting the box. The exercise ends if you drop the bike. When you have finished the exercise proceed to the starting point of the next exercise and await instructions.

Scoring: Points will be deducted for the following:

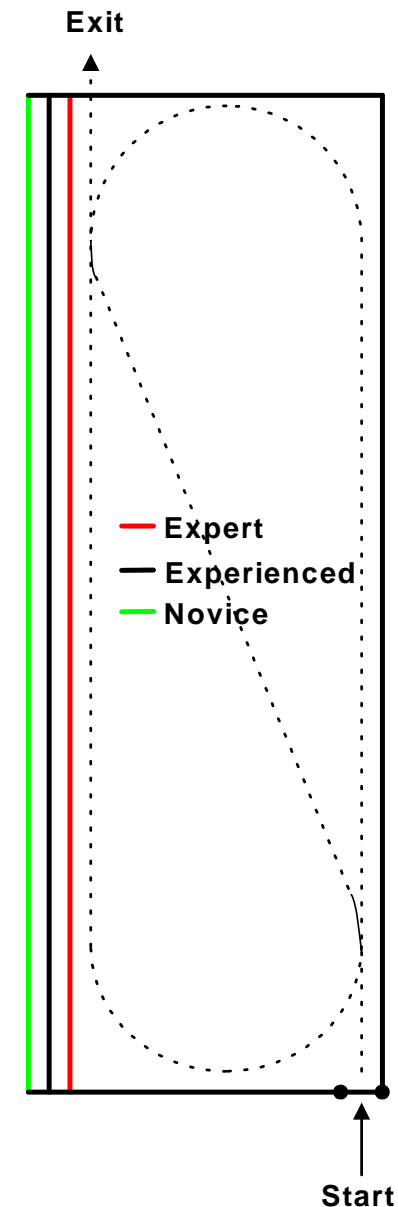
- Putting a foot down
- A tire crossing a boundary line
- Both tires crossing a boundary line
- Dropping the bike

Deduct points as follows: *(Note: only the higher point value for each deduction category will be counted and scored. Do not total both point values for each deduction)*

	Once	More
Foot down	-10	-15
Tire crossing boundary	-10	-15
Both tires crossing boundary	-15	-20
Dropping the bike	-50	

Maximum Pt. Deduction - 50

<u>Class</u>	<u>Box Width</u>
Novice	22'
Experienced	20'
Expert	18'



Exercise 6: Slow Ride

Objective: To test the riders balance and control at slow speed

Directions: On a signal from the judge, ride between the lines as slowly as you can maintaining balance and control. You will be scored according to your elapsed time to complete the exercise. The exercise will end if you put a foot down or cross a boundary line. When you have finished the exercise proceed to the starting point of the next exercise and await instructions.

Scoring: Rider is disqualified for putting a foot down or crossing a boundary. Event is scored based upon elapsed time.

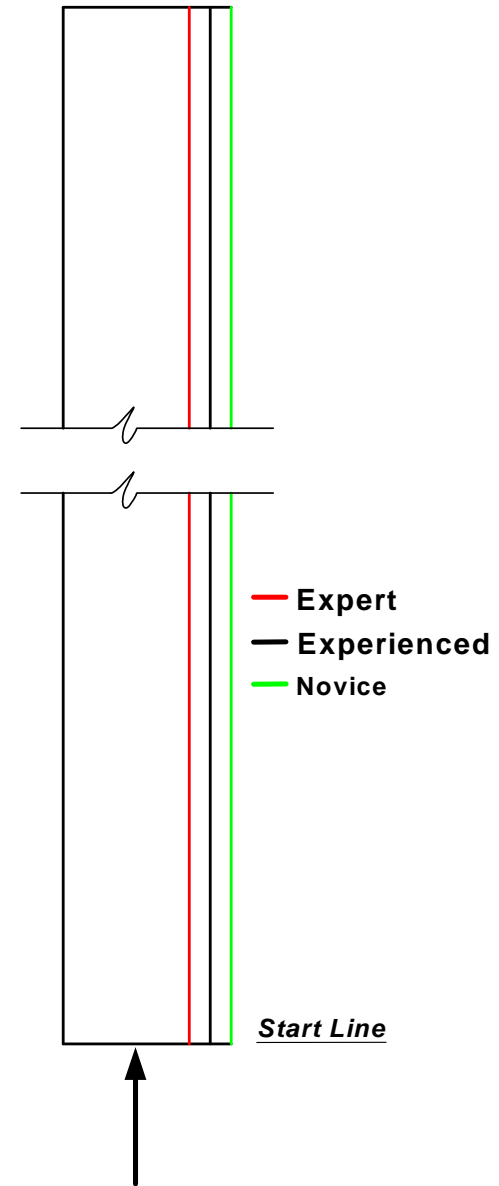
Deduct points as follows: *(Note: only the higher point value for each deduction category will be counted and scored. Do not total both point values for each deduction)*

Time Points	-45	-30	-15	-0
Novice	<11s	11-16s	16-21s	>21s
Experienced	<13s	13-18s	18-23s	>23s
Expert	<15s	15-20s	20-25s	>25s

- Puts foot down **-50**
- Crosses boundary line **-50**
- Dropping the bike **-50**

Maximum Pt. Deduction - 50

<u>Class</u>	<u>Lane Width</u>
Novice	18"
Experienced	15"
Expert	12"



Exercise 7: 45 Degree Pullout

Objective: To test the riders ability to execute a sharp turn from a standing start

Directions: From a standing start, pull straight ahead far enough to allow the rear tire to clear the starting lines and then immediately execute a sharp left turn without crossing the boundary lines on the far side of the box. When you have finished the exercise proceed to the starting point of the next exercise and await instructions.

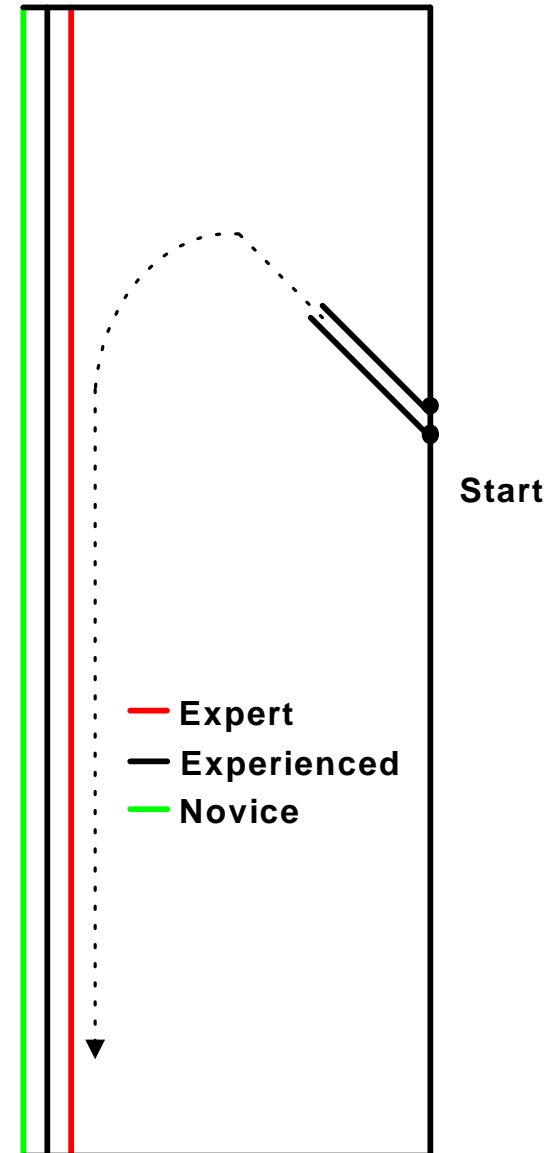
Scoring: Points will be deducted for the following:

- Putting a foot down
- A tire crossing a boundary line
- Both tires crossing a boundary line
- Dropping the bike

Deduct points as follows: *(Note: only the higher point value for each deduction category will be counted and scored. Do not total both point values for each deduction)*

	Once	More
Foot down	-10	-15
Tire crossing boundary	-10	-15
Both tires crossing boundary	-15	-20
Dropping the bike	-50	
Maximum Pt. Deduction - 50		

<u>Class</u>	<u>Box Width</u>
Novice	22'
Experienced	20'
Expert	18'



Exercise 8: The Box

Objective: To test the riders ability and control to execute tight circles

Directions: On a signal from the judge, enter the box and execute 3 tight circles, to the left or right. Only your single tightest complete circle will be scored. If you cross the outer boundary or drop the bike the exercise ends. After completing your circles, exit the box. When you have finished the exercise proceed to the starting point of the next exercise and await instructions.

Scoring: Points will be deducted for the following:

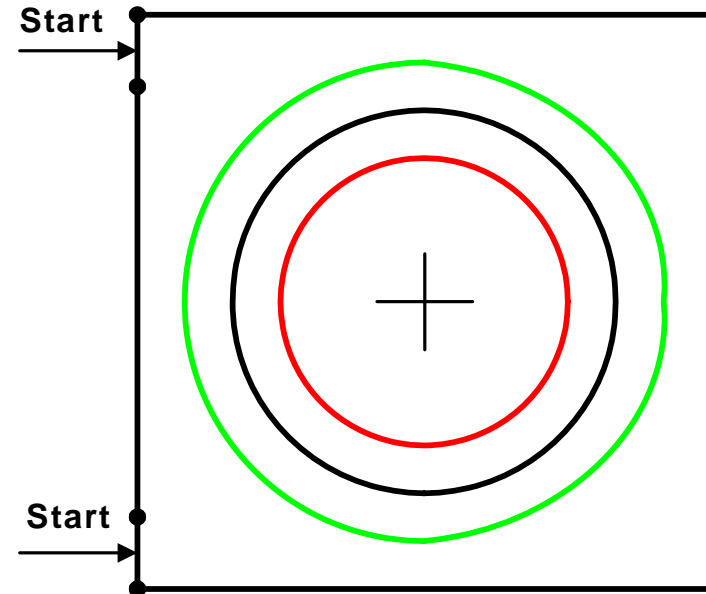
- Putting a foot down
- Not executing at least one complete circle within the specified rider skill diameter
- Crossing the outer boundary
- Dropping the bike

Deduct points as follows: *(Note: only the higher point value for each deduction category will be counted and scored. Do not total both point values for each deduction)*

	Once	More
Putting foot down	-10	-15
Circle larger than specified	-25	
Crossing the boundary	-50	
Dropping the bike	-50	
Failed to complete 3 circles	-50	

Maximum Pt. Deduction - 50

<u>Class</u>	<u>Circle Diameter</u>
Novice	26'
Experienced	22'
Expert	18'



- Expert
- Experienced
- Novice

Exercise 9: The Snake

Objective: To test the riders control in executing tight turns

Directions: On a signal from the judge, ride through the S turn staying inside the boundary lines. The exercise will end if you drop the bike. After completing the turns return to the designated staging area off range.

Scoring: Points will be deducted for the following:

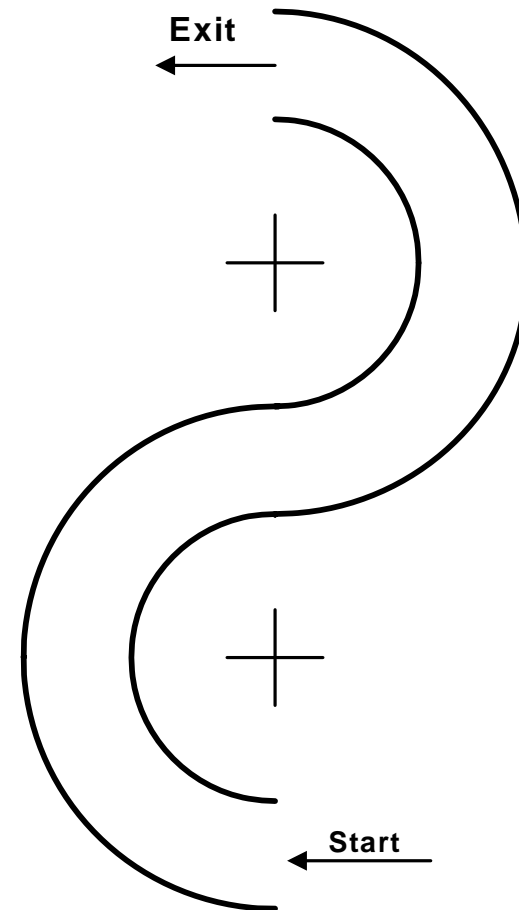
- Putting a foot down
- Crossing the boundary lines
- Dropping the bike

Deduct points as follows: *(Note: only the higher point value for each deduction category will be counted and scored. Do not total both point values for each deduction)*

	Once	More
Foot down	-10	-15
Tire crossing boundary	-10	-15
Both tires crossing boundary	-15	-20
Dropping the bike	-50	

Maximum Pt. Deduction - 50

<u>Class</u>	<u>Lane Width</u>	<u>Inner Radius</u>	<u>Outer Radius</u>
Novice	5'	7'	12'
Experienced	4'-6"	6'	10'-6"
Expert	4''	5'	9'



Top Gun Registration Scoring Sheet

Name: _____ GW# _____ Chapter _____ Date _____

Rider Class: Novice Experienced Expert

Bike Class: GL1800 GL1500 Open (GL1000/GL1100/GL1200/Valkyrie/Others)

Once More

1. **CONE WEAVE**
 (Note: Subtract only the max individual score for each deduction)

- Hits Cone -5 -10
- Skips Cone -5 -10
- Foot Down -10 -15
- Touches Boundary -10 -15
- Drops Bike (Clarification on page 4) -50

(-50 Max) Exercise Score _____

2. **QUICK STOP**

- Stops beyond standard (per foot) -1/ft _____
- Anticipates Stop (2ND attempt) -20
- Not Attain Speed (2ND attempt) -20
- Drops Bike (Clarification on page 4) -50

(-50 Max) Exercise Score _____

3. **OBSTACLE AVOIDANCE**
 (Note: Subtract only the max individual score for each deduction)

- Hits Cone -5 -10
- Touches Boundary Line -10 -15
- Crosses Boundary Line -20
- Slows or Not Attain Speed (2nd attempt) -20
- Drops Bike (Clarification on page 4) -50

(-50 Max) Exercise Score _____

4. **OFFSET ALLEY**
 (Note: Subtract only the max individual score for each deduction)

- Foot Down -10 -15
- Tire Crosses Boundary -10 -15
- Both Tires Cross Boundary -15 -20
- Drops Bike (Clarification on page 4) -50

(-50 Max) Exercise Score _____

5. **TIGHT U - TURNS**
 (Note: Subtract only the max individual score for each deduction)

- Foot Down -10 -15
- Tire Crosses Boundary -10 -15
- Both Tires Cross Boundary -15 -20
- Drops Bike (Clarification on page 4) -50

(-50 Max) Exercise Score _____

Once More

6. **SLOW RIDE**

Time Points	-45	-30	-15	-0
Novice	<11s	11-16s	16-21s	>21s
Experienced	<13s	13-18s	18-23s	>23s
Expert	<15s	15-20s	20-25s	>25s

Actual Time _____ sec.

- Puts foot down -50
- Crosses boundary line -50
- Drops Bike (Clarification on page 4) -50

(-50 Max) Exercise Score _____

7. **45 DEGREE PULLOUT**
 (Note: Subtract only the max individual score for each deduction)

- Foot Down -10 -15
- Tire Crosses Boundary -10 -15
- Both Tires Cross Boundary -15 -20
- Drops Bike (Clarification on page 4) -50

(-50 Max) Exercise Score _____

8. **THE BOX**
 (Note: Subtract only the max individual score for each deduction)

- Foot Down -10 -15
- Circle Larger than Standard -25
- Crosses Boundary -50
- Drops Bike (Clarification on page 4) -50
- Fails to complete 3 circles -50

(-50 Max) Exercise Score _____

9. **THE SNAKE**
 (Note: Subtract only the max individual score for each deduction)

- Foot Down -10 -15
- Tire Crosses Boundary -10 -15
- Both Tires Cross Boundary -15 -20
- Drops Bike (Clarification on page 4) -50

(-50 Max) Exercise Score _____

SCORING

Maximum Score Allowed **500**

Total Points deducted – _____

Riders Actual Score
(500 – Deduction) _____



Top Gun Awards Summery

Location of Event: _____

Date of Event: _____

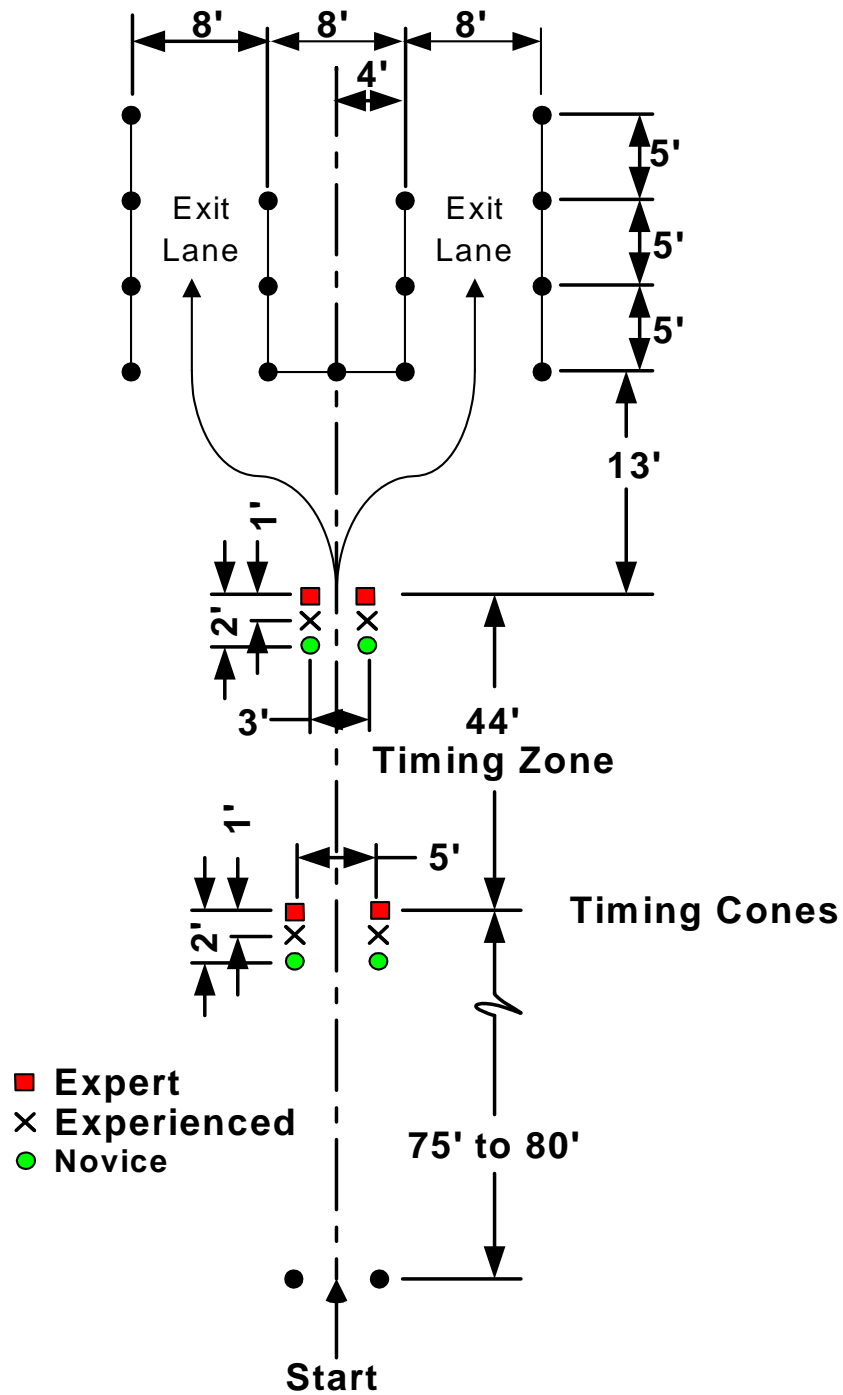
GL1800 Expert	GL 1800 Experienced	GL 1800 Novice
1.	1.	1.
2.	2.	2.
3.	3.	3.

GL1500 Expert	GL 1500 Experienced	GL 1500 Novice
1.	1.	1.
2.	2.	2.
3.	3.	3.

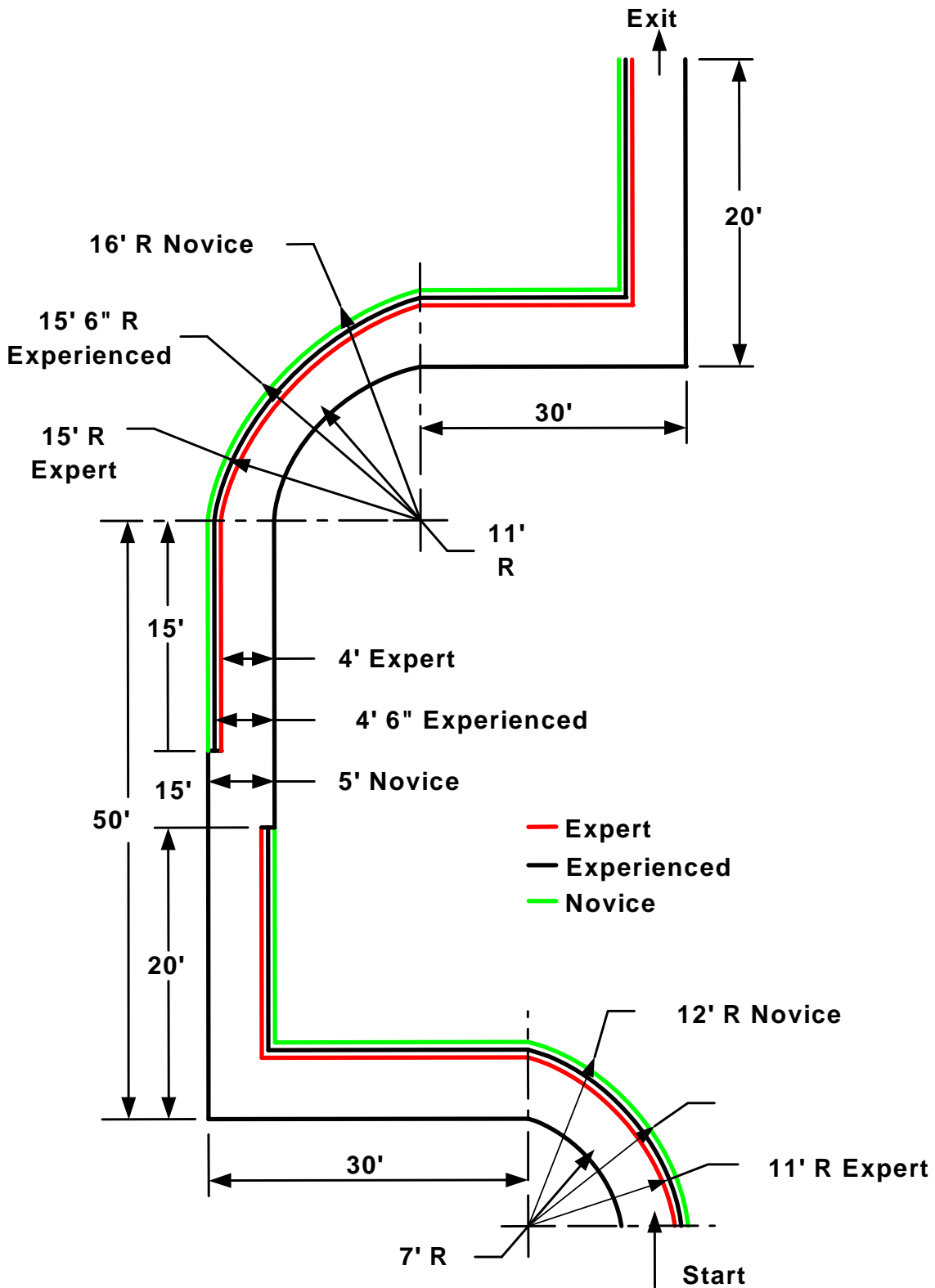
Open Class Expert	Open Class Experienced	Open Class Novice
1.	1.	1.
2.	2.	2.
3.	3.	3.

After careful review of all score sheets and a review with the principal scoring judges,
 I/ _____ (Event Coordinator) certify that the results are fair and accurate.

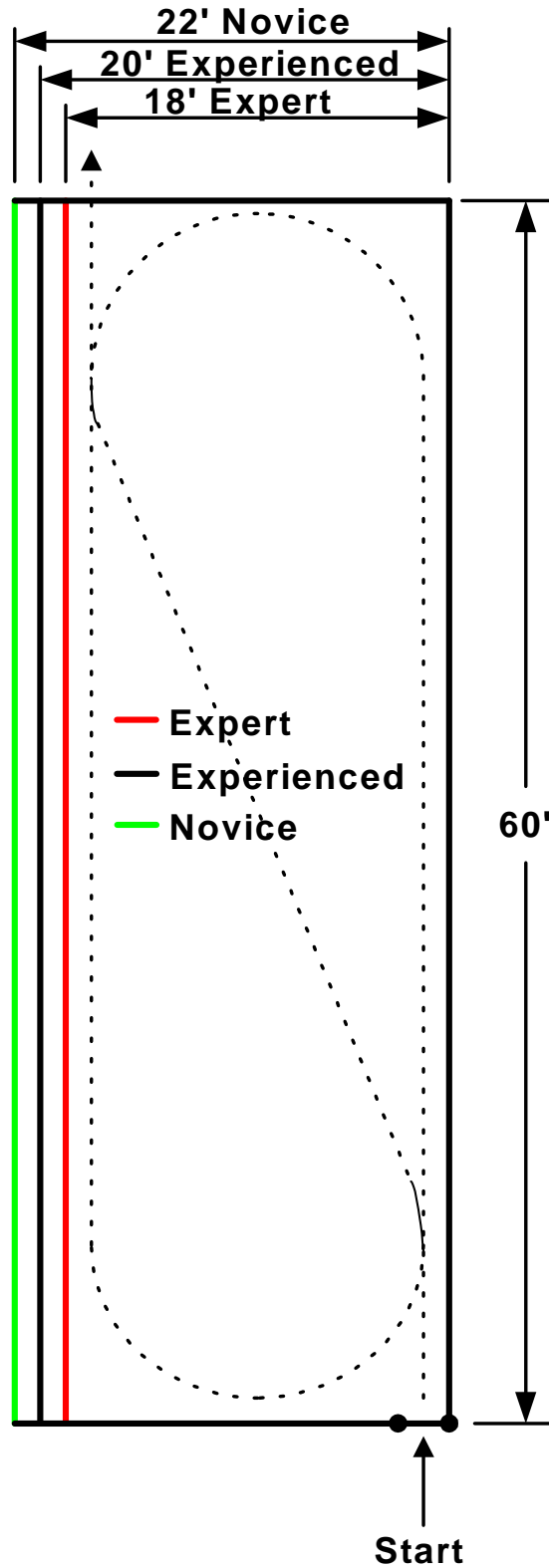
Exercise 3 – Obstacle Avoidance (Countersteering)



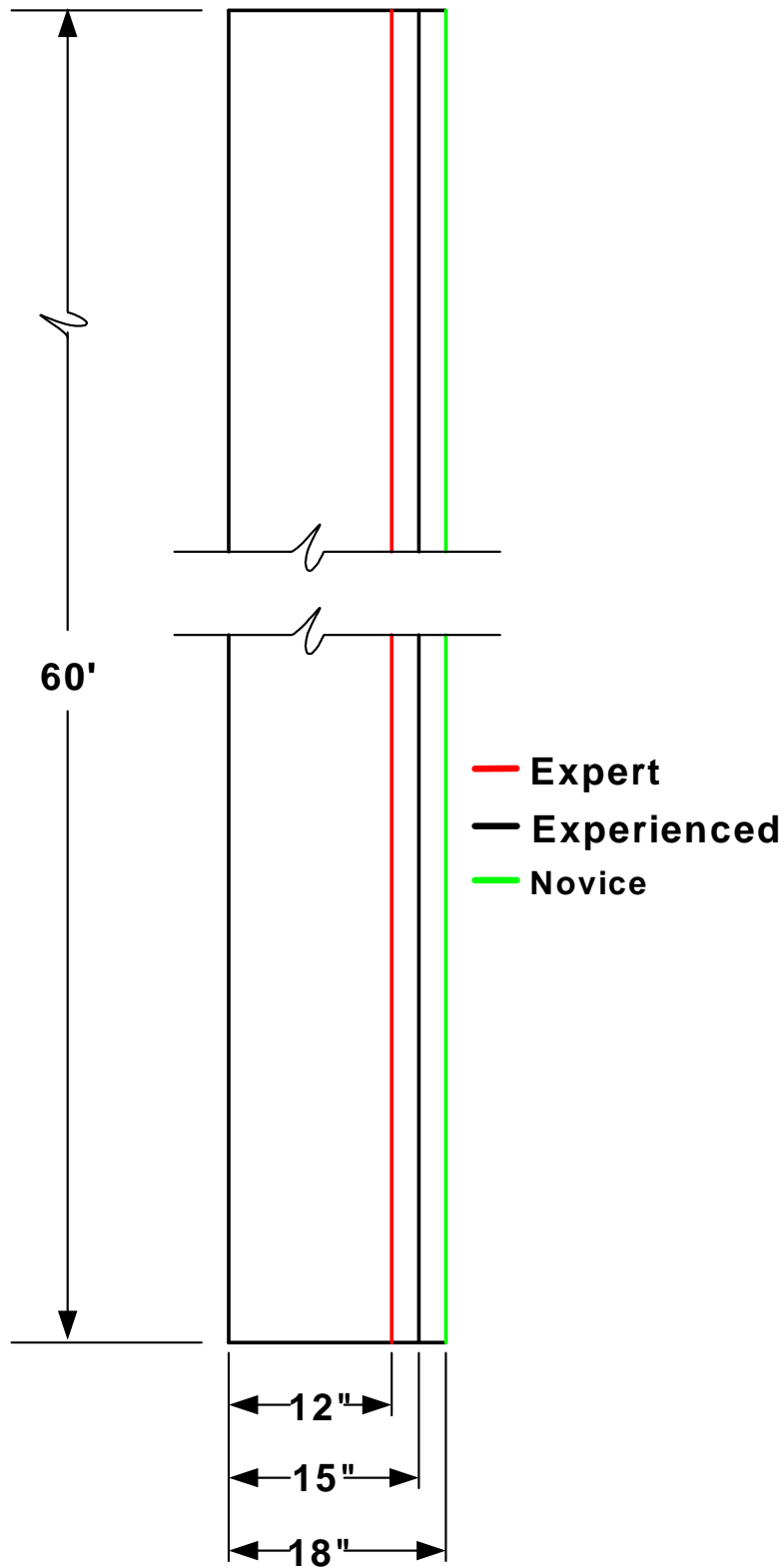
Exercise 4 – Offset Alley



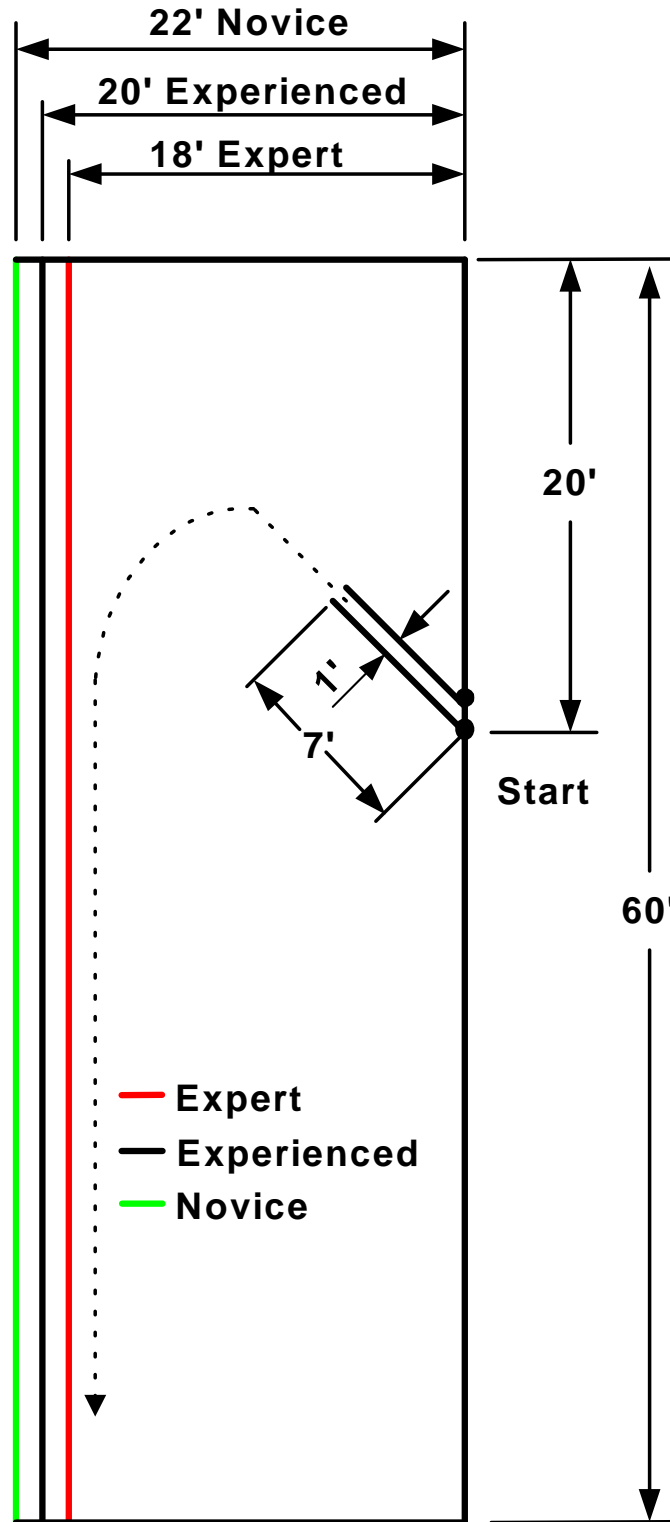
Exercise 5 – Tight U-Turns



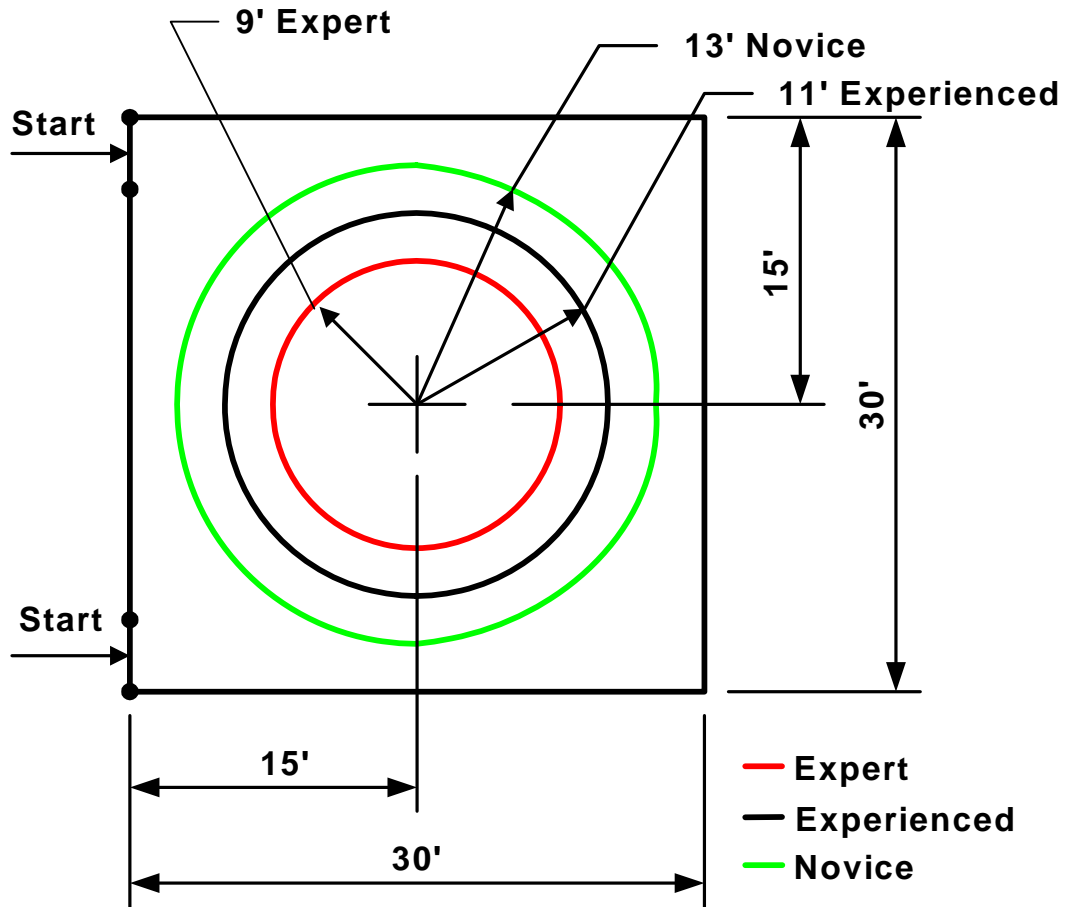
Exercise 6 –Slow Ride



Exercise 7 – 45 Degree Pullout

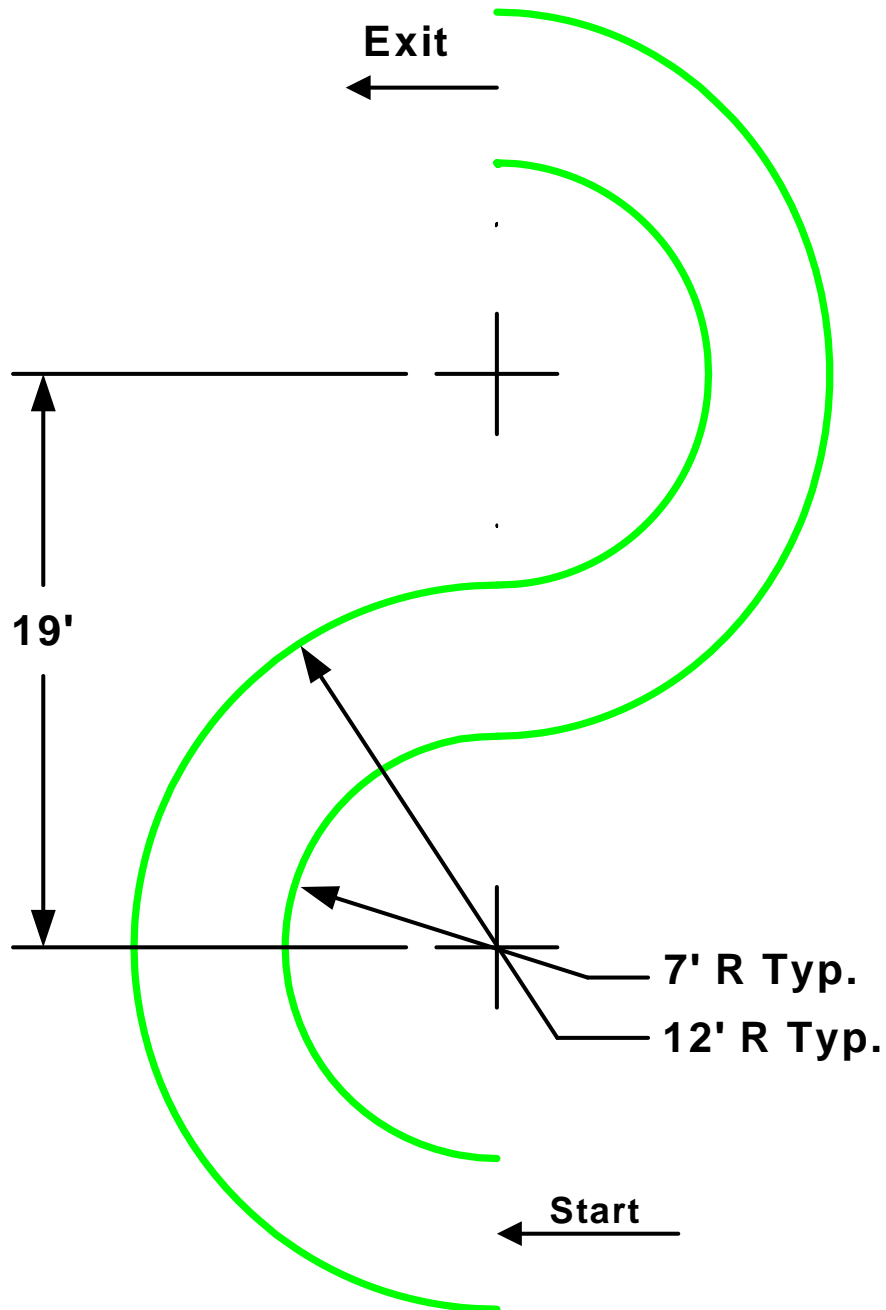


Exercise 8 – Tight Circles (The Box)



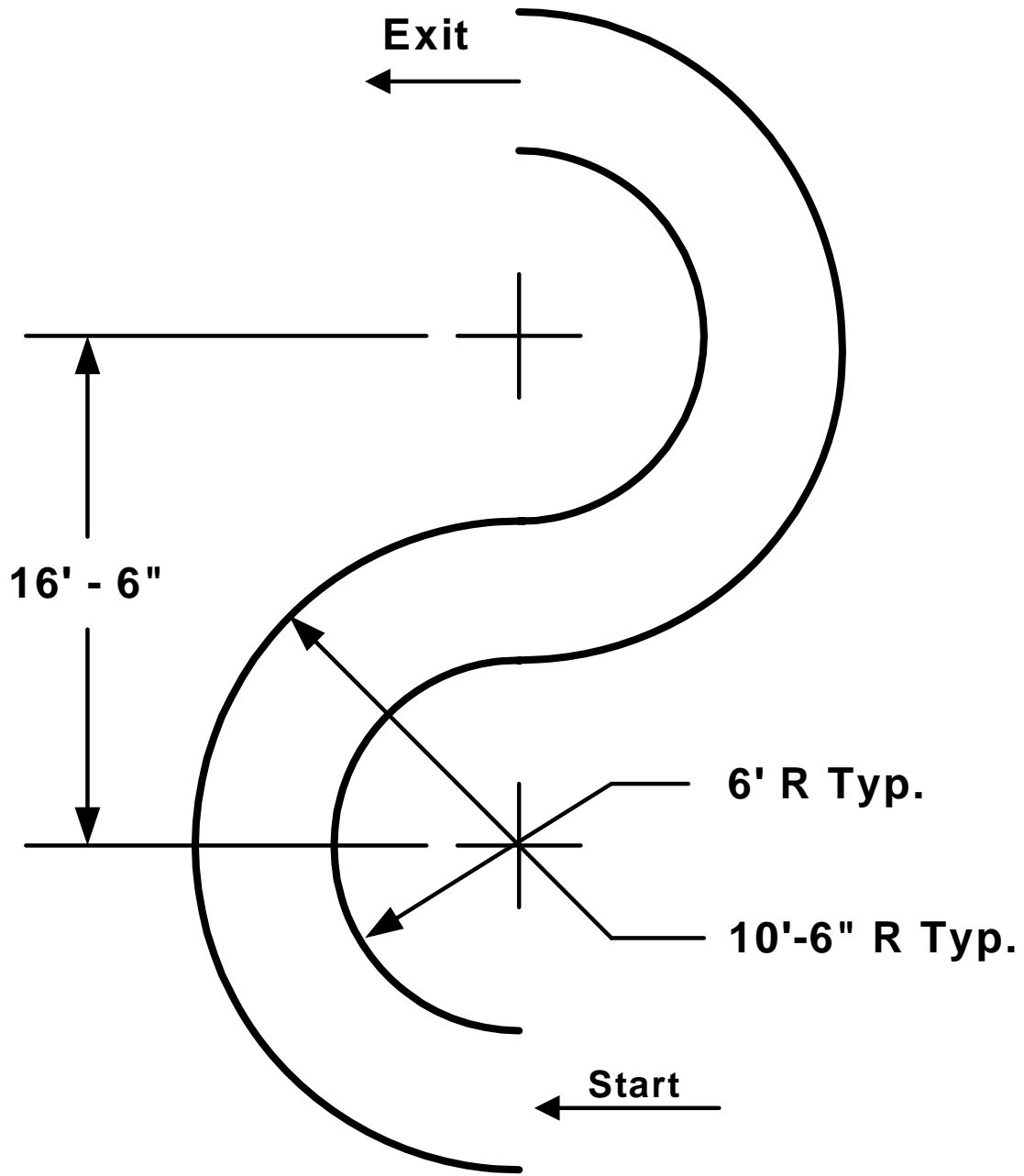
Exercise 9 – The Snake

Novice



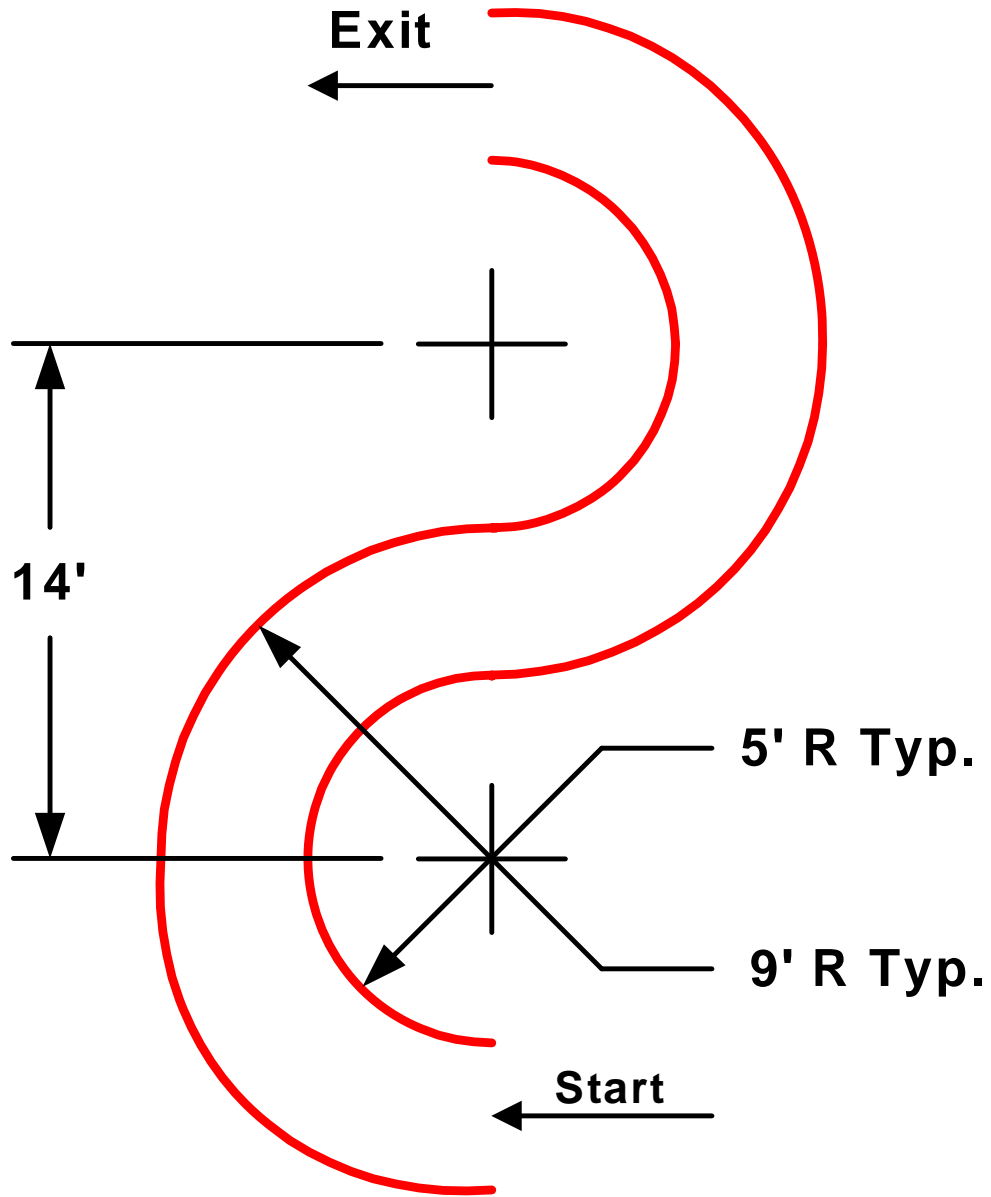
Exercise 9 – The Snake

Experienced



Exercise 9 – The Snake

Expert



Revision 2 Detail (changes shown in red)

- Changed wording on page 4 to read:
“Hot dogging” or unsafe behavior on the part of any competitor will be grounds for immediate disqualification.

If during the event a rider drops his bike three times, it will be consider unsafe behavior and will be grounds for immediate disqualification.

If the bike is dropped after starting the exercise and prior to completion of the exercise, which includes coming to a complete and full stop, if required, it is a -50 point deduction and the rider will not be allowed to re-run the exercise.

- Added statement on the instruction sheets to clarify scoring in Exercise 1, 3, 4, 5, 7, 8, and 9
Deduct points as follows: *(Note: only the max individual score for each deduction will be subtracted. Do not total both scores for each deduction)*
To all exercises that did not have it, added deduction: *Dropping the bike -50*

- Changed the wording in Exercise 2 “Quick Stop” (page 7) to read:

Directions: On a signal from the judge ride toward the stopping area at *12-18 mph*. When the motorcycle reaches the second set of cones, stop as quickly and safely as you can. Remain stopped until the judge measures your distance. When you have finished the exercise proceed to the starting point of the next exercise and await instructions. *Second attempted is required for anticipating or not attaining proper speed.*

Scoring: Points will be deducted for the following:

- Stopping beyond the standard distance
- Anticipating the stop
- *Not attaining proper speed*

Deduct points as follows:

Stops beyond standard -1 pt for each foot over
Anticipates the stop -20 pts for second attempt
Not attaining proper speed -20 pts for second attempt

- Changed the wording in Exercise 3 “Obstacle Avoidance” (page 8) to read:

Directions: On a signal from the judge, ride toward the swerve area at 12 – 18 mph. Maintain this speed as you approach the second set of cones. When the motorcycle reaches the second set of cones swerve in the direction of **your choice** maintaining a constant speed. After completing the swerve and passing through the exit lane, come to a complete stop. When you have finished the exercise proceed to the starting point of the next exercise and await instructions. *Second attempted is required for anticipating or not attaining proper speed.*

Also added *(No points deducted for slowing or not attaining speed on first attempt)*

- Changed the wording in Exercise 8 “The Box” (page 13) to read:

Directions: On a signal from the judge, enter the box and execute 3 tight circles, to the left or right. *Only your single tightest complete circle will be scored.* If you cross the outer boundary or drop the bike the exercise ends. After completing your circles, exit the box. When you have finished the exercise proceed to the starting point of the next exercise and await instructions.

Scoring: Points will be deducted for the following:

- Putting a foot down
- *Not executing at least one complete circle within the specified rider skill diameter*
- Crossing the outer boundary
- Dropping the bike

<u>Class</u>	<u>Circle Diameter</u>
Novice	26'
Experienced	22'
Expert	18'

- Clarified the Top Gun Score sheet (page 15) to read:

Added the phase *(Note: Subtract only the max individual score for each deduction)* for those exercises that have a different value for a second instance of a deduction.

To all exercises added the deduction: *Drops Bike (Clarification on page 4) -50*

Indicated that each exercise has a maximum deduction of -50 points: **(-50 Max) Exercise Score**

QUICK STOP

- Stops beyond standard (per foot) -1/ft _____
- Anticipates Stop (2ND attempt) -20
 - *Not Attain Speed (2ND attempt) -20*
 - Drops Bike (Clarification on page 4) -50
(-50 Max) Exercise Score _____

Revision 3 Detail (changes shown in red)

- Changed wording on page 1 to read:
It is suggested that the GL1000/GL1100/GL1200 and Valkyrie be combined into a single class due to the low expected participation.
- Required forms added to *Event Safety Requirements and Course Paperwork* section on page 3
- **Range Incidents** added to page 3
- Header change to Registration Scoring Sheet page 16
- Fails to complete 3 circles -50 penalty added to the Box Exercise
- Top Gun Awards Summery page 17
- Required forms added to the end of the manual



GOLD WING ROAD RIDERS ASSOCIATION



RIDER EDUCATION PROGRAM Top Gun Waiver

Agreement and Release of Liability

I, _____ (Print Name)

HEREBY ACKNOWLEDGE: that I have voluntarily applied to the Gold Wing Road Riders Association (hereinafter referred to as GWRRA), for participation in motorcycle Top Gun riding at:

Location: _____

Type of Course: Top Gun

I AM AWARE THAT MOTORCYCLE, RIDING IS HAZARDOUS ACTIVITIES AND I AM VOLUNTARILY PARTICIPATING IN THIS ACTIVITY WITH THE KNOWLEDGE OF THE DANGER INVOLVED AND HEREBY AGREE TO ACCEPT ANY AND ALL RISKS OF PERSONAL INJURY, PROPERTY DAMAGE OR DEATH.

Please Initial Here: _____

AS LAWFUL CONSIDERATION, for being permitted by GWRRA, to participate in these activities and use the facilities at:

Location: _____ ,

I hereby agree that I, my heirs, distributees, guardians, legal representatives and assigns will not make a claim against, sue, attach the property of or prosecute GWRRA, or one of its affiliated organizations, employees, agents, officers, directors, shareholders, owners, successors, or assigns, or participants for injury, damages or death resulting from the negligence or other actions or inactions, howsoever caused by any of the above named or the facility where this activity is held, as a result of my participation in motorcycle activities. In addition, I hereby release and discharge GWRRA, and its affiliated organizations, employees, agents, officers, directors, shareholders, successors or assigns, and participants from all actions, claims or demands, I, my heirs, distributees, guardians, legal representatives, successors or assigns, now have or hereafter have for injury, property damage or death resulting from my participation in motorcycle activities.

I HAVE CAREFULLY READ THIS AGREEMENT AND FULLY UNDERSTAND ITS CONTENTS. I AM AWARE THAT THIS IS A RELEASE OF LIABILITY AND CONTRACT BETWEEN MYSELF AND GWRRA AND /OR ITS AFFILIATED ORGANIZATIONS, EMPLOYEES, AGENTS, OFFICERS, OWNERS, DIRECTORS, SHAREHOLDERS, SUCCESSORS OR ASSIGNS, AND SIGN IT OF MY OWN FREE WILL.

Dated: _____

Dated: _____

Witness: _____

Participant: _____

Signature

Signature

Print Name

Print Name



GOLD WING ROAD RIDERS ASSOCIATION



RIDER EDUCATION PROGRAM Top Gun Accident/Incident Report

Officer note: Complete this report for each accident/incident occurring during your event regardless of the severity of injury or damage. Apply similar standards to those set by MSF, GWRRA RCICP, and/or the convening Motorcycle Safety Administration in your local area.

Top Gun Site: _____ Date: _____ Time: _____

Rider Name: _____ Phone Number: _____

Address: _____

Male Female Age: _____ GWRRA Member Number: _____

Co-Rider Name: (2-up only) _____

Note: Fill out a separate form if the Co-rider sustained injuries

Range Specific Information

Course: Top Gun Exercise being performed: _____

Course Location: _____ Injuries Sustained Yes No

Student Accepted Declined Medical attention

First aid administered? No Yes

Emergency Personnel Information

Ambulance/emergency unit called? No Yes

ID of squad/service & destination of medical facility to which student was transported:

Police report? No Yes If yes what is the Case # _____

Accident/Incident Description

License # of damaged motorcycle _____ Make, Model, Year _____

Describe damage to motorcycle: _____

Coordinator description of accident/incident - _____

Participant description of accident/incident - _____

Event GWRRA Officer Name: _____

Officer: _____ Signature Participant: _____ Signature



GOLD WING ROAD RIDERS ASSOCIATION



RIDER EDUCATION PROGRAM EMERGENCY NOTIFICATION DATA SHEET

This form is used for the Top Gun coordinator to be able to contact an offsite member of your family in the case of an emergency.

Type of Course: Top Gun

Date: __/__/__

Location: _____

Event: (Rally, Region/District/Chapter Event, etc.) _____

Your Name	Contact Person	Telephone Number	Relationship
1			
2			
3			
4			
5			
6			
7			
8			
9			
10			
11			
12			
13			
14			
15			
13			
14			
15			
16			
17			
18			
19			
20			